

**Product number CA10715_BOOM-S**

Family	Boom	FWHM	17 degrees
Type	RefAssy	Efficiency	-
LED	P7	cd/lm	3.080
Color	Metal	Gerber File	Available
Diameter	22.2 mm	the tape shall only be considered as a temporary mounting AID when working with PCB.	
Height	14.34 mm		
Style	Hexag		
Optic Material	-		
Holder Material	-		
Fastening	["glue", "tape"]		
Status	Production ready		

**Product number C10588_BOOM-S**

Family	Boom	FWHM	21 degrees
Type	Reflector	Efficiency	-
LED	P7	cd/lm	-
Color	Metal	Gerber File	Available
Diameter	22.2 mm		
Height	13.6 mm		
Style	Hexag		
Optic Material	PC		
Holder Material	-		
Fastening	-		
Status	Production ready		

**Product number CA10930_BOOM-M**

Family	Boom	FWHM	33 degrees
Type	RefAssy	Efficiency	-
LED	P7	cd/lm	1.860
Color	Metal	Gerber File	Available
Diameter	22.2 mm	the tape shall only be considered as a temporary mounting AID when working with PCB.	
Height	14.34 mm		
Style	Hexag		
Optic Material	-		
Holder Material	-		
Fastening	["glue", "tape"]		
Status	Production ready		

**Product number C10589_BOOM-M**

Family	Boom	FWHM	39 degrees
Type	Reflector	Efficiency	-
LED	P7	cd/lm	-
Color	Metal	Gerber File	Available
Diameter	22.2 mm		
Height	13.6 mm		
Style	Hexag		
Optic Material	-		
Holder Material	-		
Fastening	-		
Status	Production ready		

**Product number C10590_BOOM-W**

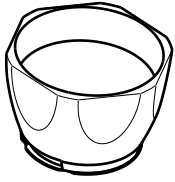
Family	Boom	FWHM	68 degrees
Type	Reflector	Efficiency	-
LED	P7	cd/lm	-
Color	Metal	Gerber File	Available
Diameter	22.2 mm		
Height	14.4 mm		
Style	Hexag		
Optic Material	PC		
Holder Material	-		
Fastening	-		
Status	Production ready		

Product number CA10931_BOOM-W

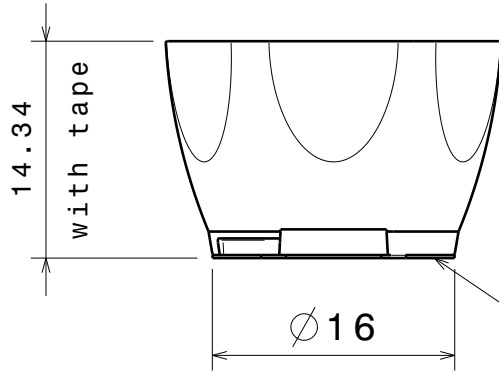
Family	Boom	FWHM	70 degrees
Type	RefAssy	Efficiency	-
LED	P7	cd/lm	0.740
Color	Metal	Gerber File	Available
Diameter	22.2 mm		
Height	14.34 mm		
Style	Hexag		
Optic Material	-		
Holder Material	-		
Fastening	["glue", "tape"]		
Status	Production ready		

The tape should only be considered as a temporary mounting AID when working with PCB.

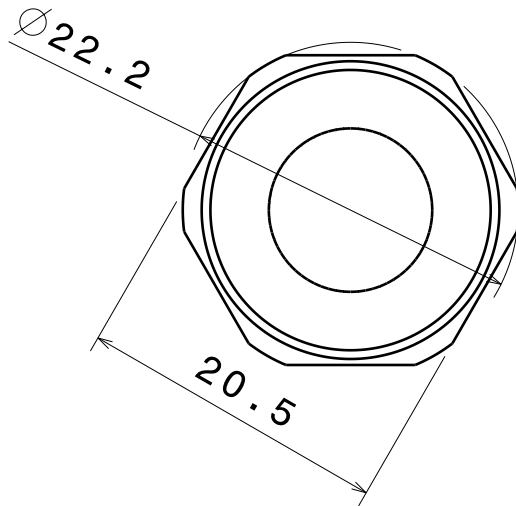
NOTE: The typical divergence will be changed by different color, chip size and chip position tolerance. The typical total divergence is the full angle measured where the luminous intensity is half of the peak value.



Isometric view
Scale: 1:1



Front view
Scale: 2:1



Top view
Scale: 2:1

Part no.s:
Spot CA10715
Medium CA10930
Wide CA10931

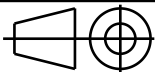
INDEX	PART NO	DESCRIPTION	MATERIAL	COLOUR
1	-	Boom-reflector	PC	metal

Tolerances if not otherwise shown
According to DIN ISO 2768-1
Linear measures:
Up to 30mm class M, otherwise class C.
According to DIN ISO 2768-2
Form and position: class L

LEDiL

Ledil Oy
Salorankatu 10
FIN 24240 SALO
Finland

THIRD ANGLE PROJECTION:



DRAWING TITLE

Boom reflector

This drawing is the property
of LEDiL Oy. It may not be
reproduced, copied or
communicated without a written
agreement with LEDiL Oy.

SIZE PART NUMBER

A4

CA10715, CA10930, CA10931

SCALE

2:1

WEIGHT

1,25 g

SHEET

1/1